

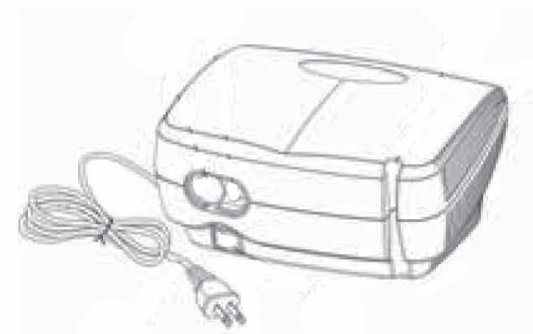
## — Replacement Accessories —

Reorder Number	Part
3055BPN	SportNeb EXPRESS, bag and Permanent Nebulizer
3055PNPM	Permanent Nebulizer Pediatric Mask
3055PN	Permanent Nebulizer
29000	Carry Bag
22226	Apex Permanent Nebulizer (each)
21304	VixOne Disposable Nebulizer (case 50)
21306	VixOne Adult Mask & Tubing (case 50)
21308	VixOne Pediatric Mask & Tubing (case 50)
3055F	2 Replacement Filters
22226	Reusable Nebulizer

# SportNeb

EXPRESS  
Compressor Nebulizer

## Quick Start Card



READ ALL INSTRUCTIONS BEFORE USE.

Retain this card with your device for future reference.

This product has been tested and successfully approved with the following standards:

EN 60601-1  
EN 60601-1-2



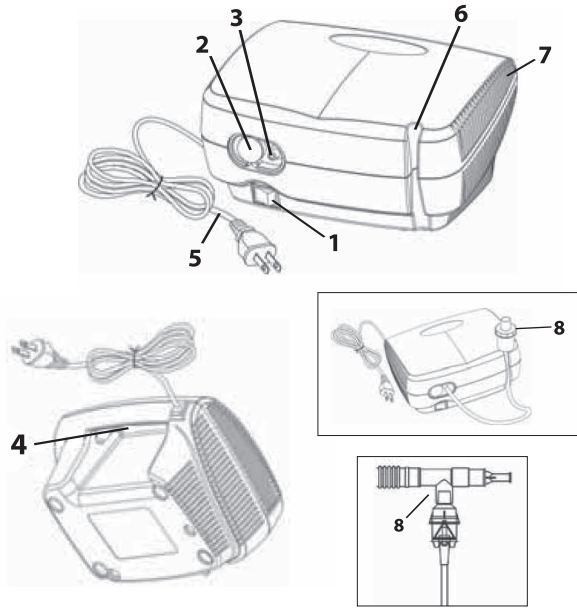
**evo** Medical Solutions  
26378 289th Place  
Adel, IA 50003  
515.993.5001  
515.993.4172 f  
800.759.3038 (toll free)

## IMPORTANT

When using this electrical product, especially when children are present, one should always follow basic safety precautions. Do not install, maintain or operate this equipment without reading, understanding and following the proper SportNeb express Compressor Nebulizer Instruction Manual, otherwise injury or damage may result.

## Important parts of the SportNeb express Compressor Nebulizer

1. Power Switch
2. Filter Cap  
(disposable filter inside)
3. Air-Outlet Connector
4. Integrated Carrying Handle
5. Power Cord
6. Tubing Holder
7. Cooling Air Openings
8. Disposable Nebulizer



### CAUTION

The SportNeb express Compressor Nebulizer is designed for intermittent use only. Do not operate it continuously for more than 30 minutes for a single use without turning it off and allowing a cooling period for at least 30 minutes.

## Important Cleaning Instructions

Please read instructions below or refer to your SportNeb express Instruction Manual for more complete cleaning instructions.

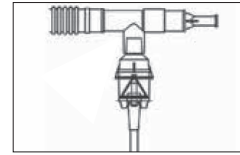
### Nebulizer Cup Cleaning

All parts of the disposable nebulizer, except tubing, should be thoroughly cleaned after each use. If your doctor specifies a specific cleaning procedure, follow that procedure.

### Compressor Outer Case Cleaning

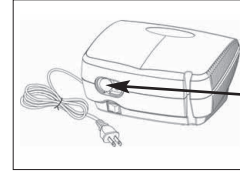
Wipe the case with a damp cloth every few days to keep it dust-free. Do not submerge the unit into water.

## Setup Instructions



### STEP 1

Before every operation, the nebulizer cup assembly should be cleaned following the instructions described in the "Cleaning" section of the manual. Inspect the SportNeb express compressor for damage or wear. Replace as needed.



### STEP 2

Place the SportNeb express compressor on a table or other flat surface.

### NOTE:

This area is for Filter Cap only. DO NOT INSERT MEDICATION HERE.



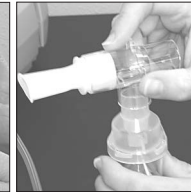
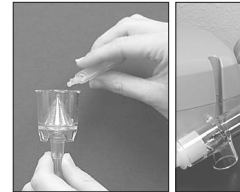
### STEP 3

With the power switch in the O (OFF) position, plug the power cord into an appropriate electrical wall outlet.



### STEP 4

Connect one end of the tubing to the compressor air-outlet connector.



### STEP 5

Assemble the nebulizer cup and add indicated medication to the nebulizer's cup before use.



### STEP 6

Attach the other end of the tubing into the air-inlet connector found at the bottom of the nebulizer cup.



### STEP 7

Turn on the SportNeb express compressor by pressing the power switch to the | (ON) position and begin treatment.



### STEP 8

If treatment needs to be interrupted, simply press power switch to O (OFF) position.

### STEP 9

When the treatment is complete, turn off the compressor by pressing the power switch to O (OFF) position and unplug the unit from the electrical outlet.

step by step